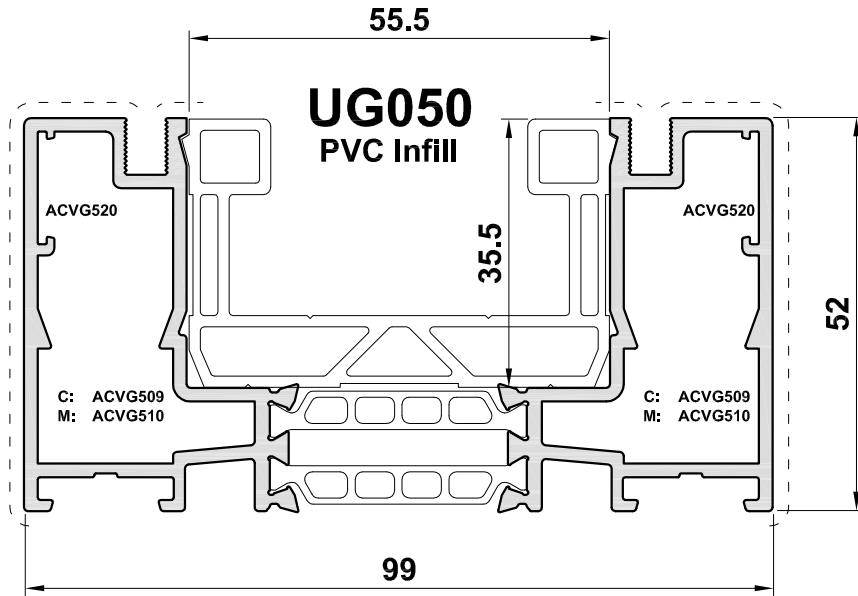


Primary Visible Side

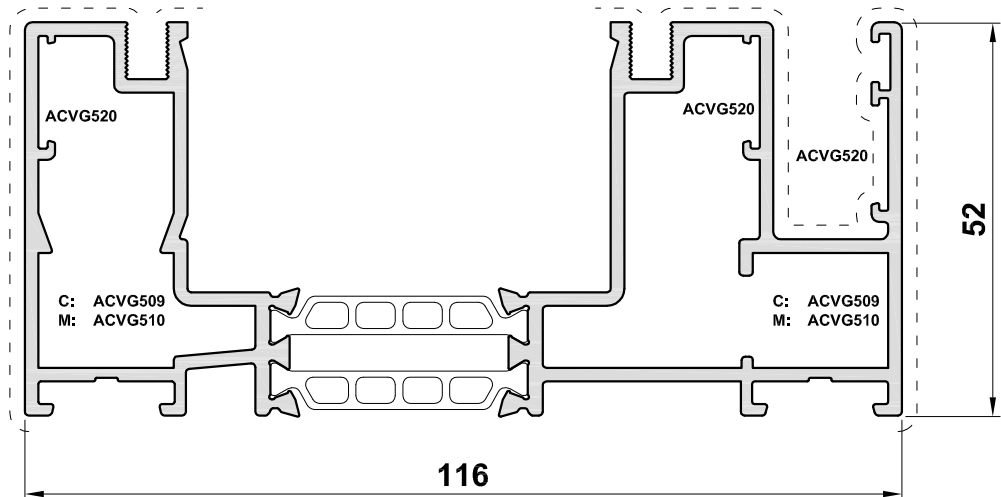
Secondary Visible Side

VG510
Two Track
Outer Frame

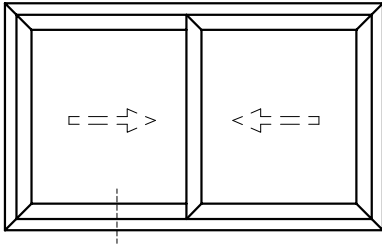
Standard



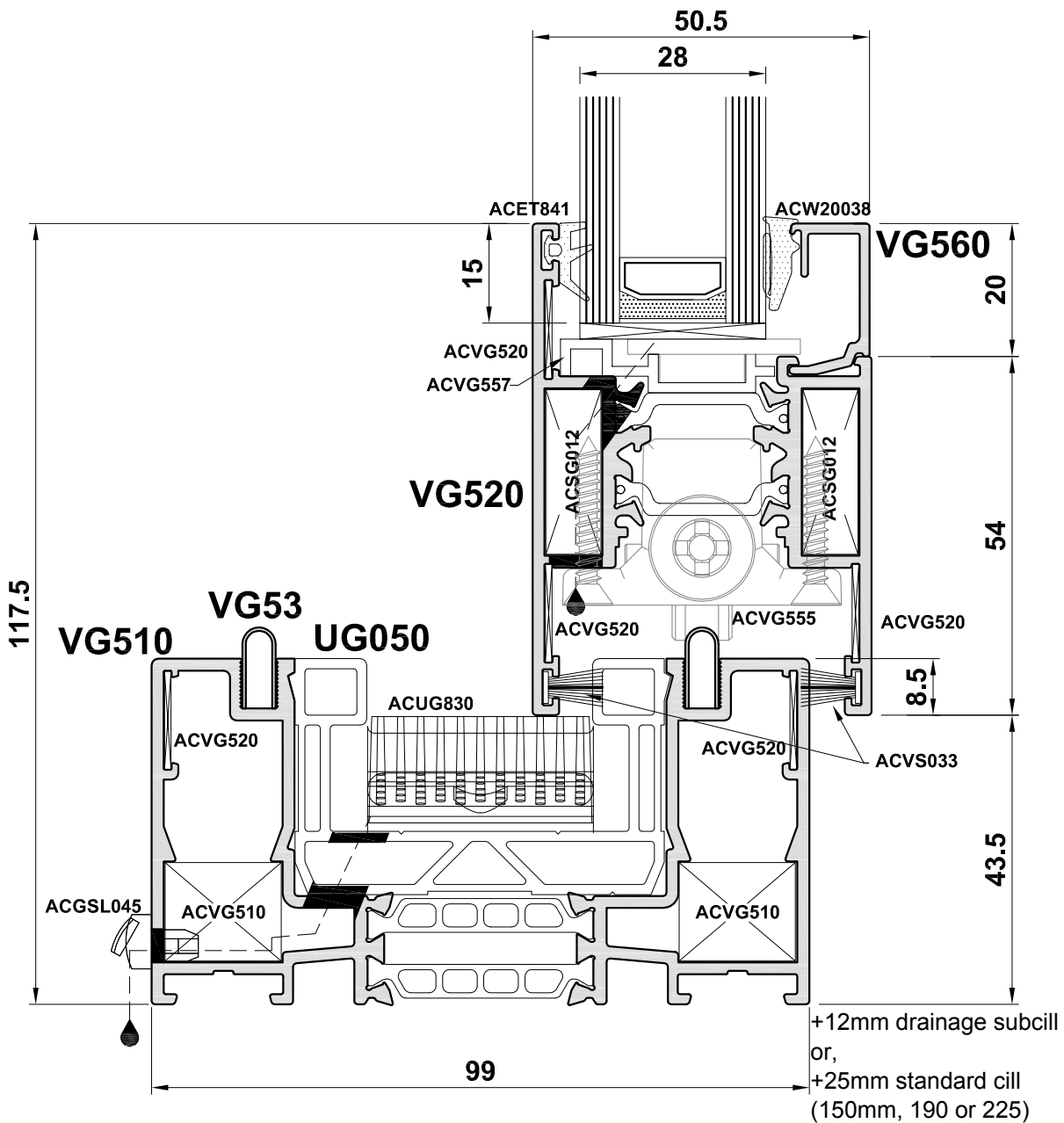
VG511
Two Track
Outer Frame
with Upstand



Detail 1A



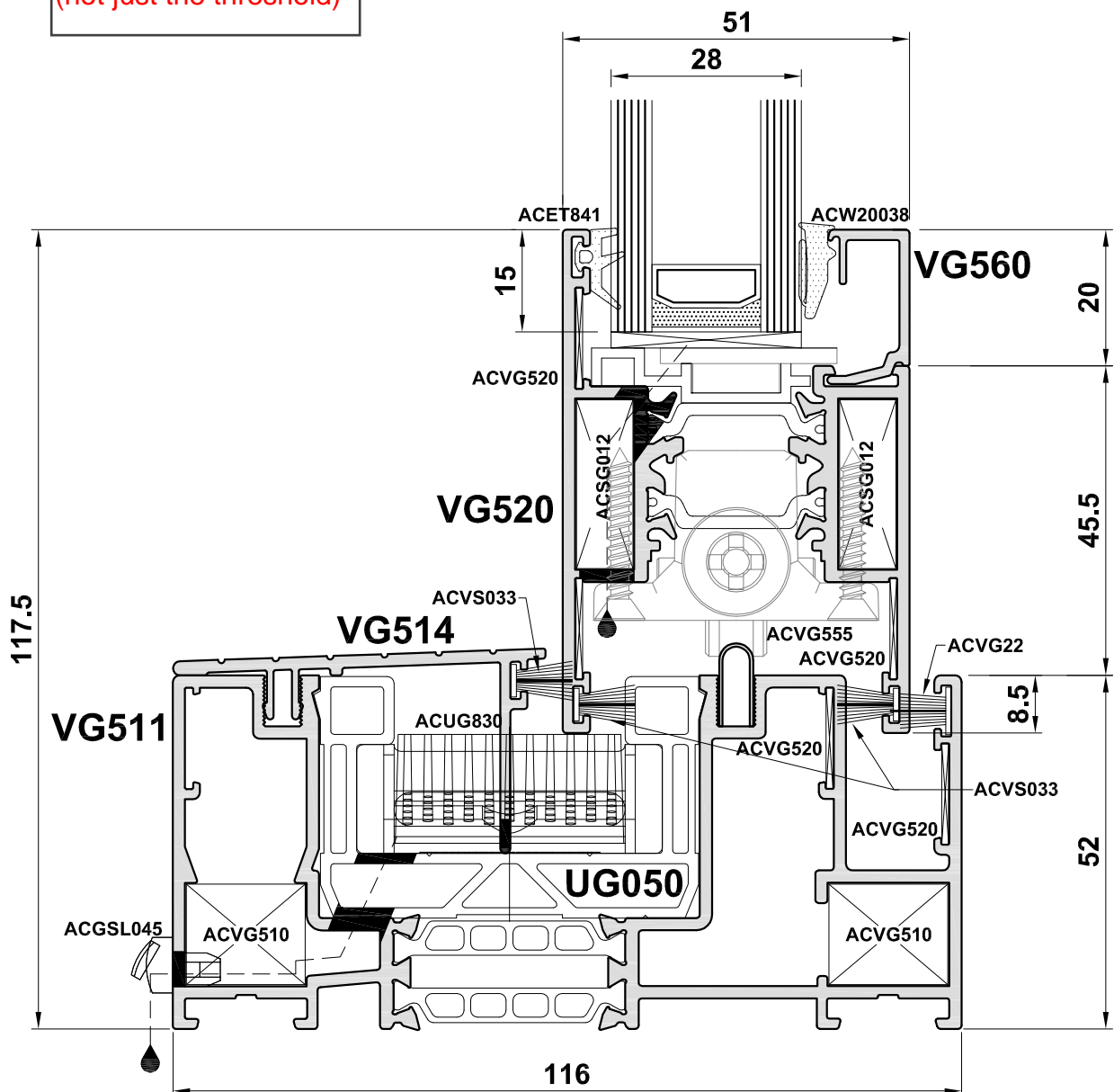
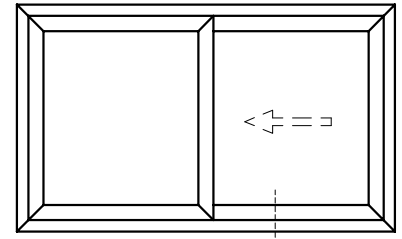
Standard



Do Not Scale From This Drawing

Detail 1D

Outer with upstand is used all the way round (not just the threshold)



+12mm drainage subcill
or,
+25mm standard cill (190 or 225mm). NB if a cill is required, the installer has to make sure the thermal break is not breached. This can be done by putting packers between cill and threshold.

Do Not Scale From This Drawing